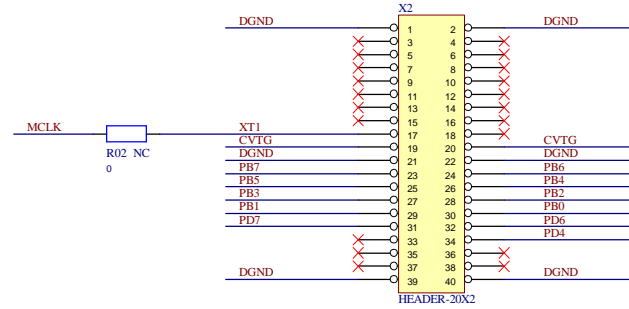
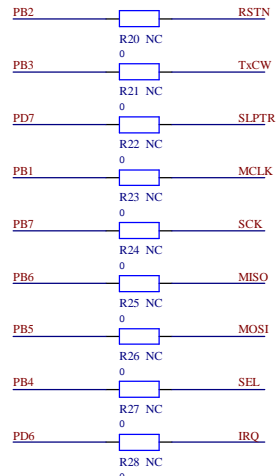


SN1 REF1TOP REF2TOP

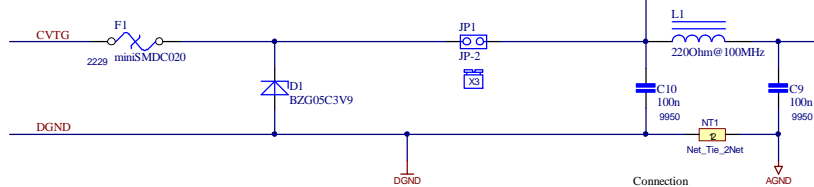
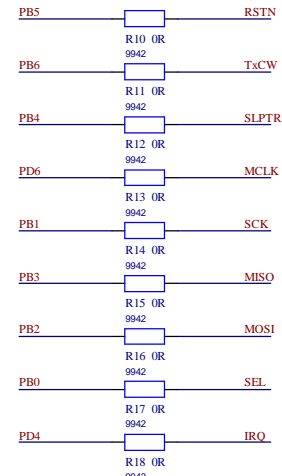
# STK501 - EXPAND1



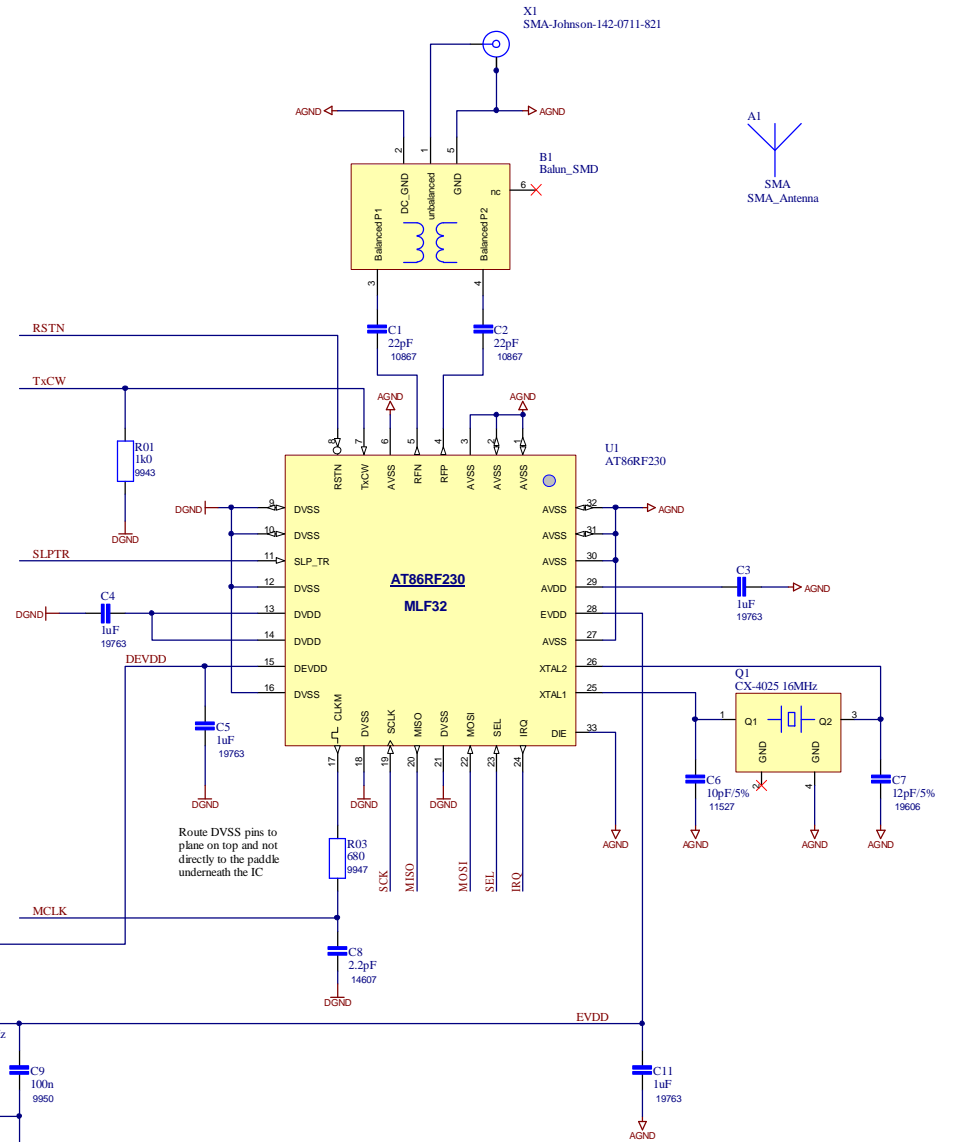
## ATmega644 config



## ATmega1281 config



Connection analog/digital Ground, to be done on bottom layer underneath the radio IC



Route DVSS pins to plane on top and not directly to the paddle underneath the IC

		<b>dresden elektronik ingenieurtechnik GmbH</b> D-01277 Dresden, Glasewaldstrasse 22	
		Telefon 0351 / 31850 0 Telefax 0351 / 31850 10	
		<b>Radio Extender V2.3</b>	
Size	A3	Document Number	5-449-08-00-100-04
Date	14.05.2009	Time	11:54:34
Drawn/By:	R. Lappelt	Document File Name	REB230_V2.3_SchDoc
Sheet	1 of 1	Rev.	0.4