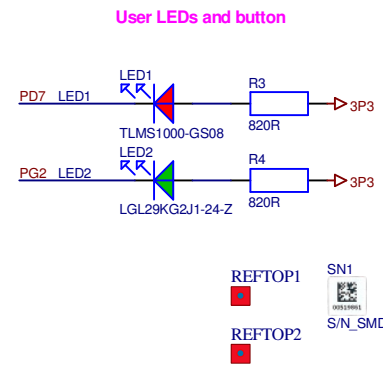


RPI Rev2.0 - 26 Pin User Header Assignment:

Pin	Signal	Pin	Signal
1	3.3V	2	5V
3	I2C0_SDA	4	5V
5	I2C0_SCL	6	GND
7	GPIO_GCLK	8	UART_TXD
9	GND	10	UART_RXD
11	GPIO17	12	GPIO18
13	GPIO21	14	GND
15	GPIO22	16	GPIO23
17	3.3V	18	GPIO24
19	SPI0_MOSI	20	GND
21	SPI0_MISO	22	GPIO25
23	SPI0_SCLK	24	SPI0_CE0N
25	GND	26	SPI0_CE1N

UART Connection:

ZigBee Shield = Device		Rpi = Host
PE0/RXD0	↔	UART_TXD
PE1/TXD0	↔	UART_RXD



		dresden elektronik ingenieurtechnik gmbh D-01237 Dresden, Enno-Heidebroek-Str. 12	
		de RPi ZigBee Shield	
		Size A4	Document Number 5 770 07 00.100.00
		Date: 01.11.2013	Time: 10:03:36
		Document File Name	de_RPi_ZigBee_Shield.SchDoc
		DrawnBy: APA	Sheet 1 of 1 Rev: 0.0
Nr.	Änderung	Datum	Name